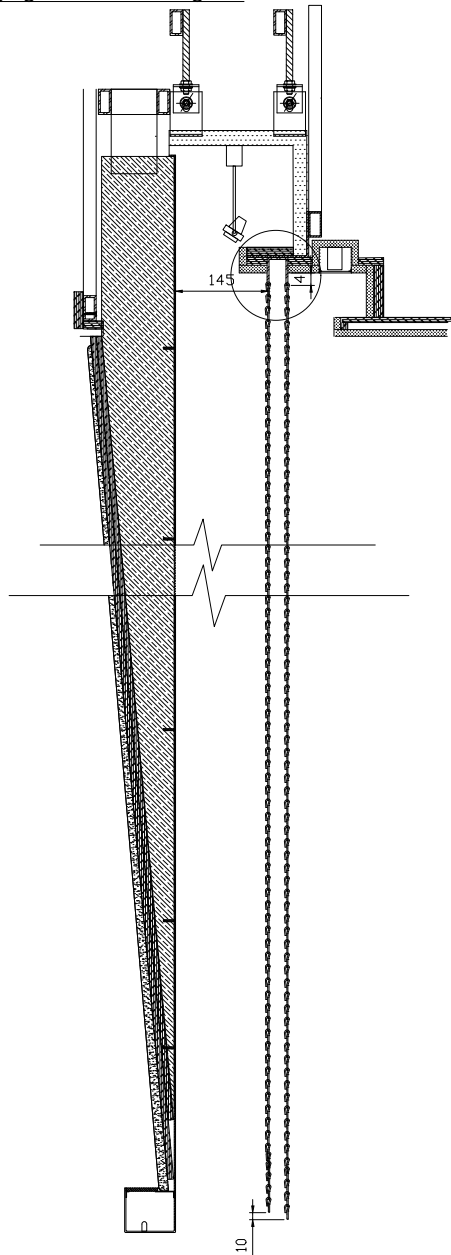
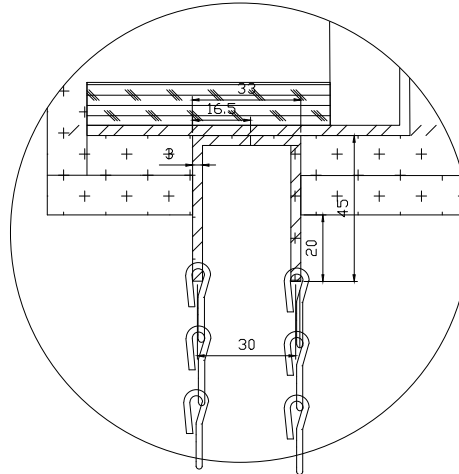


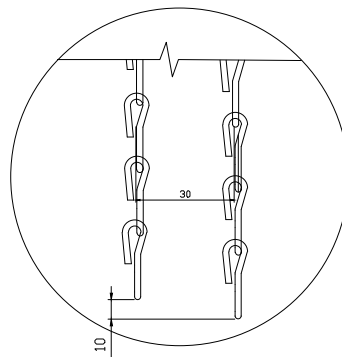
Rail Hanging Schematic Diagram




Rail Hinging Detailed Diagram



Inner & Outer Chains Detailed Diagram



	ARGGER CREATIVE WEAVE CO., LTD.	
	DRAWING NO. BG-RZ-20.3.11	
MATERIAL	TYPE	REV
SS304	Decorative Mesh	
DRAWN/DATE	CHECKED/DATE	APPROVED/DATE
Luan/3.11.2020	Luan/3.11.2020	Luan/3.11.2020
DO NOT MEASURE THE DIMENSIONS.		UNIT: mm